



# Kontaktbuchse 1 mm

Drahtfederkontakt

Einsatzbereich: - 917

TE Teile Nr.: 60-0159-011-000  
IC Ref. Nr.: 60.159.11

## Elektrische Werte

Bemessungsstrom max. 14 A\*  
Durchgangswiderstand < 5 mOhm

## Werkstoff

Kontakt Messing, vergoldet

## Anschluss

Anschlussart/-bereich Crimp/ 0,5 - 1,5 mm<sup>2</sup>  
max. Litzenaußendurchmesser ø2,9 mm  
Abisolierlänge 5 mm  
Crimpeinstellungen sind individuell zu wählen

## Mechanische Werte

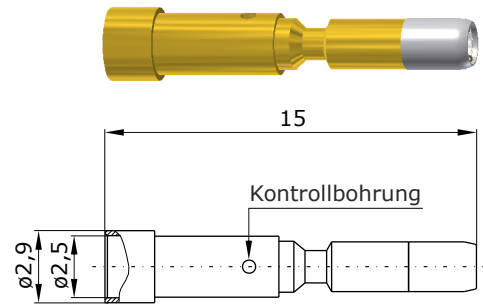
Steckzyklen 500

## Werkzeuge (nicht im Lieferumfang enthalten)

digitale Crimpzange TE Teile Nr.: C0-0235-000-000  
IC Ref. Nr.: C0.235.00

analoge Crimpzange TE Teile Nr.: C0-0201-000-000  
IC Ref. Nr.: C0.201.00

(Positioniereinsatz für 1 mm Kontakte TE Teile Nr.: C0-0121-000-000  
IC Ref. Nr.: C0.121.00)



**Hauptabmessungen**  
Kontaktbuchse





# Contact Socket 1 mm

wire spring contact

for: - 917

**TE part number: 60-0159-011-000**  
**IC reference number: 60.159.11**

## Electrical Data

rated current max. 14 A\*  
contact resistance < 5 mOhm

## Material

contact brass, gold plated

## Termination

cross-section crimp/ 0.5 - 1.5 mm<sup>2</sup>  
max. outer wire diameter ø2.9 mm  
stripping length 5 mm  
crimp settings select individually

## Mechanical Data

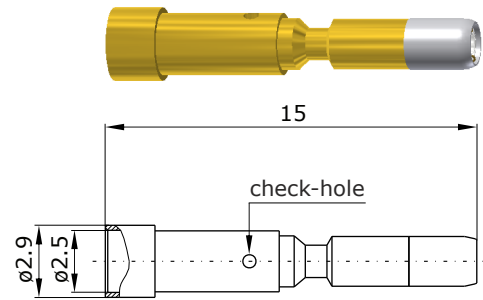
mating cycles 500

## Tools (not part of product contents)

digitale crimping tool TE part no.: C0-0235-000-000  
IC reference no.: C0.235.00

analog crimping tool TE part no.: C0-0201-000-000  
IC reference no.: C0.201.00

(positioner for 1 mm contacts) TE part no.: C0-0121-000-000  
IC reference no.: C0.121.00



**Main Dimensions**  
contact socket

Y6-B109-000-0EN issued: 03.05.2010/Ra; modified: 27.05.2020/RN

© 2020 TE Connectivity

TE Connectivity, TE connectivity (logo), intercontec (logo) and speedtec are trademarks.

While TE Connectivity (TE) has made every reasonable effort to ensure the accuracy of the information in this presentation, TE does not guarantee that it is error-free, nor does TE make any other representation, warranty or guarantee that the information is accurate, correct, reliable or current. TE reserves the right to make any adjustments to the information contained herein at any time without notice. TE expressly disclaims all implied warranties regarding the information contained herein, including, but not limited to, any implied warranties of merchantability or fitness for a particular purpose. The dimensions in this article are for reference purposes only and are subject to change without notice. Specifications are subject to change without notice. Consult TE for the latest dimensions and design specifications.

TE Connectivity Industrial GmbH  
Bernrieder Straße 15  
94559 Niederwinkling, Germany  
+49 9962 2002 - 0  
[intercontec@te.com](mailto:intercontec@te.com)  
[www.intercontec.biz](http://www.intercontec.biz)



\* for max. wire cross-section